



MILKOTRONIC LTD

www.lactoscan.com
www.milkotronic.com

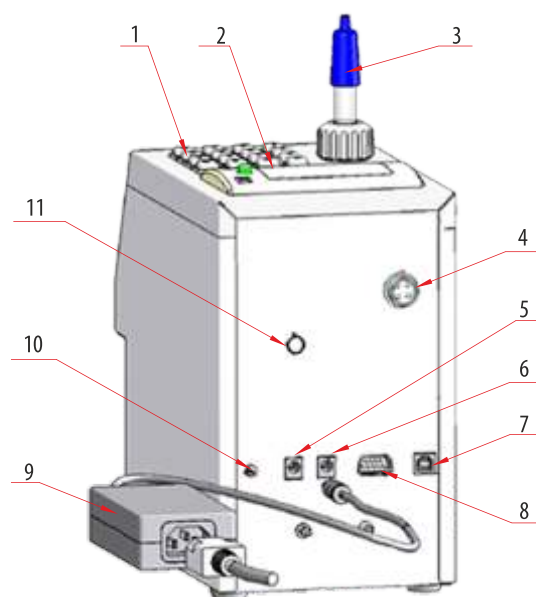
LACTOSCAN S

MILK ANALYZER
Quick Start Guide



3 SWITCHING ON THE SYSTEM

1. Connect the switching adapter on the back of the device (point 9)



- | | |
|-------------------------------|-----------------------------|
| 1. Keypad | 7. USB (option) |
| 2. Printer | 8. RS232/printer |
| 3. pH probe (option) | 9. Switching adapter |
| 4. Weigh Scale input (option) | 10. Power switch |
| 5. AC adaptor input | 11. pH probe input (option) |
| 6. DC Power Supply output | |

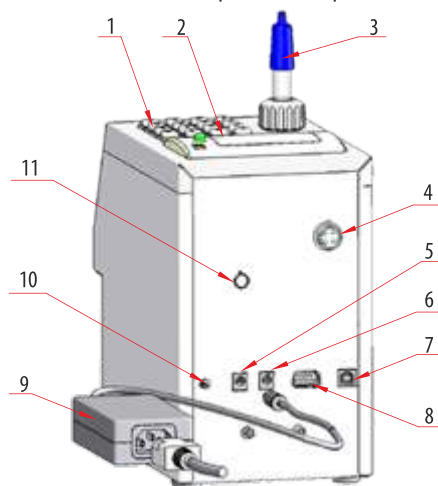
1 SAFETY INSTRUCTIONS

1. Read this manual carefully and make sure that you understand all the instructions.
2. For safety purposes the device is equipped with grounded power cable.
If there is no grounded electrical outlet where the device will be used, please, install such before using the device.
3. Place the device on leveled and stable plate.
In case it falls or is severely shocked it may be damaged.
4. Connect to the electrical network in such a way that the power cable to stay away from the side for accessing the device and not to be stepped on.
5. Every time before cleaning the device switch it off and unplug it from the electrical outlet.
The device has to remain unplugged till the cleaning completion.
6. Do not disassemble the unit in order to avoid possible electrical shock.
In case of malfunction contact your local dealer.
7. Handle the liquids the device works with carefully, following all the instructions for their preparation.
8. Place the switching adaptor in such a way as to be protected from overflow and spillage of liquids.

2 ASSEMBLING THE DEVICE

Open the box. Carefully take out the contents of the box.
Place the machine on flat level surface

2. Switch on the Lactoscan from the back panel switch (point 10)



3. For a short time the display shows the number of the software versions, for example:

Milk analyzer xxx
LCD vers xx
MA vers yy
MA ser. N. xxxx

4. Till the analyser is prepared for work (at about 5 minutes) the following message is written on the display: **"Getting ready"**.
5. Wait until the device is ready.
6. When the device is ready for work, the display shows: **"Ready to start"**.

7. If you want to pass to another mode press the button **Enter** and hold it pressed.
The following message appears on the display:

**Release button to
start menu**

8. Release the button **Enter**.
9. The display shows the possible working modes:

Milk selector

Cal1 – Cow
Cal2 – Sheep
Cal3 – UHT

Cleaning

10. Using “up” ▲ and “down” ▼ buttons choose the working mode and press **Enter** in order to start it.
11. Make sure the analyser is still during measurement.
Vibrations may lead to inaccurate results.
12. To start measurement: pour the preliminary prepared sample in the sample holder.
13. Put the sample holder in the recess of the analyzer;
14. Press the button **Enter**.
15. The analyser sucks the milk, makes the measurement and returns the milk in the sample holder.
17. Make a second measurement with new portion of the same sample.
18. When the measurement is finished, the sample returns in the sample-holder and the display shows the results. For example:

Results:

F=ff.ff S=ss.ss
D=dd.dd P=pp.pp
L=ll.ll W=ww.ww

19. The results remain on the display till a new measurement is started.
20. If the analyser is connected to a computer, it automatically sends the data to the computer and/or prints them.
21. For more information for the printer see Operation Manual 8.2. Working with Printer.
22. When finished work, start the cleaning procedure of the analyser.
23. Please refer to the user manual about the proper way of cleaning the machine

IMPORTANT

THE MAIN REASON FOR MALFUNCTIONING OF THE DEVICE IS THE BAD CLEANING OF THE SYSTEM AFTER MAKING ANALYSIS.

In case of malfunction due to the bad cleaning of the analyser your guarantee is not valid anymore and any repair has to be paid.

4 TURNING OFF THE SYSTEM

- Switching off the analyser could be done on one of the following ways:
 - Through the analyser –
by switching the Power button on the rear panel of the analyser.
 - Through the software –
by using the option Shut Down from the Calibration and Working mode menus.
- After pressing and holding pressed the button **Enter** (when choosing calibration), the following is displayed:

Milk selector

Cal1 – Cow
Cal2 – Sheep
Cal3 – UHT

Cleaning
Final clean
Shut Down

- By choosing the option Shut Down the operator may switch off the power supply of the analysers.

*NOTE: If you have any questions about any of the procedures, please contact Milkotronic LTD

5 OPTIONS AND ACCESSORIES

External Printer



External keypad



USB Flash Drive with real time clock



All carrying case



6 MORE INFORMATION

You can download the Instruction Manual of the device from our website:
http://lactoscan.com/editor/ufo/manuals/S/LactoscanS_Eng.pdf

7 SUPPORT

For any additional information and further question regarding the servicing of the device, contact us at: mainservice@lactoscan.com

HEAD OFFICE:
4, Narodni Buditeli Str.
8900 Nova Zagora
BULGARIA
Phone/Fax: + 359 457 67082

MILKOTRONIC LTD

office@lactoscan.com
www.lactoscan.com
www.milkotronic.com